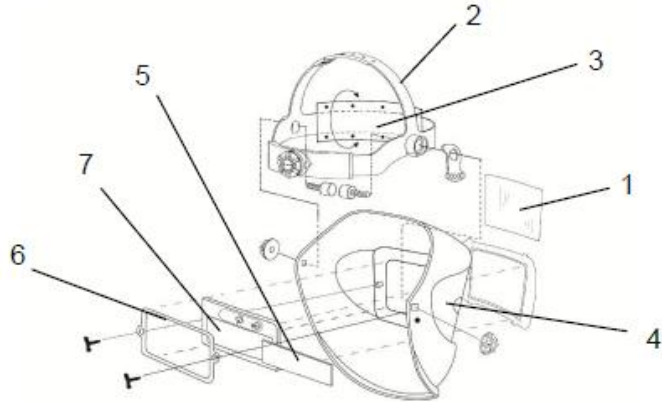


CUSTOMER DATA SHEET JACKSON SAFETY WH50 MULTIVIEW WELDING HELMET IRUV5 CARBON Countries sold into: EMEA CDS No: J8003, J8009, J8024	Status: On Sale
	Date: Feb 2012
	Version: 1
	Replaces: NA

FINISHED PRODUCT

J8003: WH50 Multiview Welding Helmet IRUV5 Carbon
 J8009: WH50 Multiview Welding Helmet IRUV5 Carbon + INT SM 4/9-13 ADF
 J8024: WH50 Multiview Welding Helmet IRUV5 Carbon + INT TN 4/9-13 ADF



EC compliance mark:



DIN EN 166: 2002-04
 DIN EN 169: 2003-02
 DIN EN 175: 1997-08
 DIN EN 379: 2009-07 (J8009, J8024)



Suitable welding type applications:

- J8003 provided without a welding filter
- J8009 fitted with KCP exclusive SM-Surface Mode technology ADF -Typical switching speed (at 55oC): 0.04ms
- J8024 fitted with TN-Twisted Nematic technology ADF -Typical switching speed (at 55oC): 0.2 ms

Instructions for use: Enclosed with each case

List of spare parts available:

1	J8338	OUTER PROTECTIVE LENS 89 x 142 mm
2	J8333	HEAD GEAR PRO
3	J8330	WELDING SWEAT BAND
4	J8358	WH50 MULTIVIEW SIDE WINDOW RIGHT & LEFT (blank)
5	J8302	INNER PROTECTIVE LENS 107 x 51 mm (J8024)
5	J8303	INNER PROTECTIVE LENS 109 x 66 mm (J8009)
6	J8344	LENS RETAINER TN VARIABLE ADF (J8024)
6	J8345	LENS RETAINER SM VARIABLE ADF (J8009)
7	J8142	WF30 4/9-12 SM INT ADF (for code J8003)
7	J8187	WF40 4/9-13 TN EXT ADF (for code J8024)
7	J8162	WF40 4/9-12 SM INT ADF (for code J8009)

- Robust solution for the most demanding tasks
- Provided with IRUV DIN5 side windows for widened peripheral vision and increased awareness
- Screw-in lens retainer system for a more secure fastening
- Fitted with comfort head gear, with an easy to adjust mechanism.
- Wide range of spare parts available for extended lifetime.
- Internally controlled ADFs fitted with two (J8009) or three (J8024) sensors for improved filter sensitivity during positioning welding
- ADF sensitivity and delay adjustment for fine tuning according to changing light conditions
- J8003 provided with various lens retainers for the customer to choose the ADF that better fits the welding needs

PACKAGING

Case count: 1 complete unit per case Case size L x W x H: 298 x 240 x 250mm (ED)	Net (Gross) case weight: J8003: 800 (1000)g J8009, J8024: 950 (1150)g
---	--

IMPORTANT NOTE

This data was generated from samples which were taken to be typical of standard product. The data is given for information only and considered valid at the time of publication. Additional information can be supplied on request. Always review the instructions provided with each PPE device before assembly and use.