

CUSTOMER DATA SHEET JACKSON SAFETY WH40 ELEMENT WELDING HELMET 4/9-13 INT ADF 1 UNIT Countries sold into: EMEA/AP (selected countries) CDS No: J8011, J8016	Status:	On Sale
	Date:	Feb 2012
	Version:	2
	Replaces:	V1. Nov 2011

FINISHED PRODUCT

Product description:

J8011: WH40 Element Welding Helmet Blue 1 UNIT
J8016: WH40 Element Welding Helmet Silver 1 UNIT



EC compliance mark:



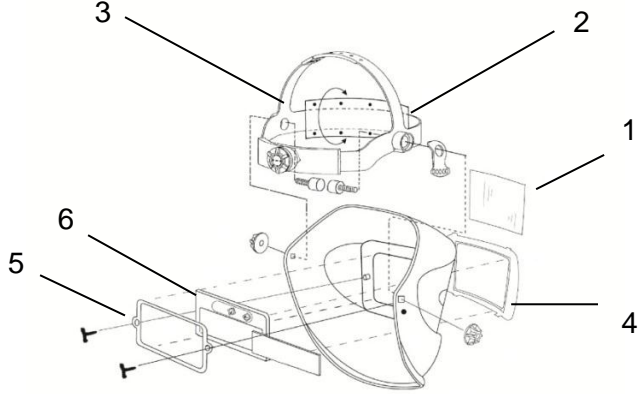
DIN EN 166: 2002-04
DIN EN 169: 2003-02
DIN EN 175: 1997-08

Suitable welding type applications:



Instructions for use: Enclosed with each case

Component and basic specifications:



List of spare parts available

1	J8301	Outer protective lens 97 x 110 mm
2	J8330	Welding sweat band
3	J8333	Welding head gear pro
4	J8361	Element front frame silver
4	J8362	Element front frame black
5	J8344	Lens retainer TN variable ADF
5	J8345	Lens retainer SM variable ADF
5	J8346	Lens retainer MG mineral glasss
6	J8188	WF20 3/11 INT TN ADF
6	J8181	WF20 3/10 INT TN ADF
6	J8142	WF30 4/9-12 INT SM ADF
6	J8187	WF40 4/9-13 INT TN ADF
6	J8162	WF40 4/9-12 INT SM ADF

- Robust – low weight solution for the most demanding tasks.
- Not provided with a welding filter. Customer can choose from a wide range of Jackson Safety* ADFs available
- Screw-in lens retainer system for a more secure fastening. Provided with various lens retainers (TN, SM and MG)
- Fitted with comfort head gear.
- Wide range of spare parts available for extended lifetime.

PACKAGING

Case count: 1 complete unit per case Case size L x W x H: 298 x 240 x 250mm (ED)	Net (Gross) case weight: 590 (790)g
--	---

IMPORTANT NOTE

This data was generated from samples which were taken to be typical of standard product. The data is given for information only and considered valid at the time of publication. Additional information can be supplied on request. Always review the instructions provided with each PPE device before assembly and use.