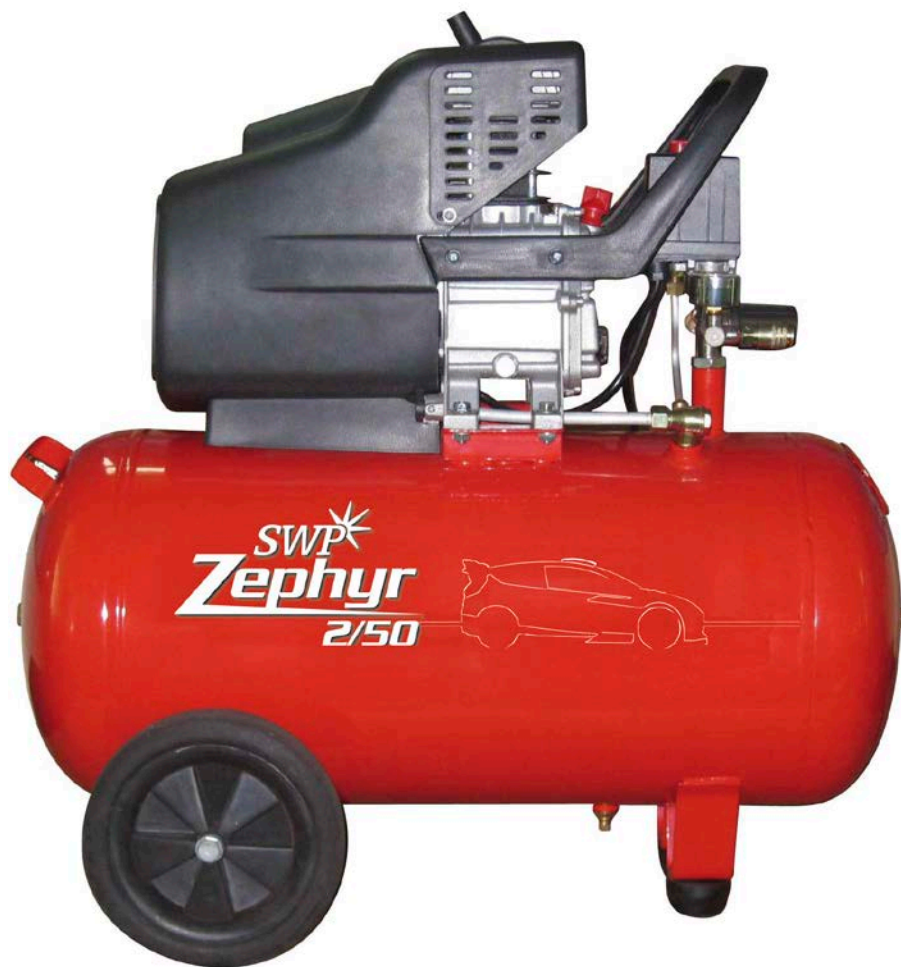


Air Compressor

Operation Manual

ZC224 / ZC250



Before operation be familiar
with the operation manual first

Contents

1.	Brief Description.....	Page 1
2.	General View and Main Components...	Page 1
3.	Technical Specification.....	Page 1
4.	Preparation before Starting.....	Page 2
5.	Operation and Adjustment.....	Page 2
6.	Cautions.....	Page 3
7.	Maintenance.....	Page 3
8.	Trouble Shooting.....	Page 4
9.	Parts Diagram.....	Page 5
	Parts List.....	Page 6
10.	List of Contents.....	Page 7
11.	Warranty Information.....	Page 7

1. Brief Description

Thank you for purchasing this air compressor. Our air compressors are designed and built with quality workmanship, taking advantage of a compact design, fine appearance, light weight, and easy to operate, our range is ideal for use in machinery and vehicle maintenance, decorating, wood work assembly and other fields where compressed air is required.

2. General View and Main Components (Fig.1)

- 1, Pump
- 2, Pressure Switch
- 3, Outlet Valve
- 4, Regulating Valve
- 5, Pressure gauge
- 6, Non Return Valve
- 7, Drain Valve
- 8, Wheel
- 9, Delivery Pipe
- 10, Air Receiver
- 11, Safety Valve
- 12, Fan Cover

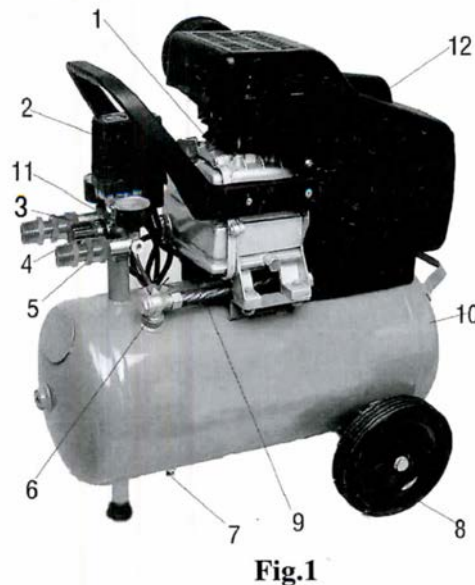


Fig.1

3. Technical Specification

ITEM	DATA	DATA
Model	ZC224	ZC250
Power	1.5Kw/2HP	1.5Kw/2HP
Voltage	230V	230V
Frequency	50Hz	50Hz
Motor	2P	2P
Rated Speed	2850 rpm	2850 rpm
Current	7.5A	7.5A
Air Displacement	7.28	7.28
Discharge Pressure	115PSI	115PSI
Restart Pressure	70 PSI	70 PSI
Tank Capacity	24L	50L
Dimensions	58 x 26 x 58cm	77 x 33 x 74cm
Air Outlet	1/4"	1/4"
Net Weight	30 Kgs	34 Kgs

4. Preparation before Starting

- 1, Remove compressor from outer packaging
- 2, **DO NOT REMOVE TRANSIT PLUGS BEFORE FITTING THE WHEELS.**
- 3, Lie compressor on side to fit wheels and dampner
- 4, Allow 5-10 minutes once compressor is upright before starting.
- 5, Remove transit plugs and insert air filter supplied
- 6, Insert oil breather plug supplied
- 7, The ideal place to set the compressor should be clean, dry and well ventilated.
- 8, Keep the use voltage within + or – 5%.
- 9, Keep the oil level within the red circle of the oil site glass.
- 10, The recommend compressor oil is SAE30 over 10 deg, and SAE10 below 10 deg.
- 11, Set the pressure switch to the On position (Fig.2), let the compressor run for 10 minutes with no load to ensure lubrication of the moving parts before regular operation.

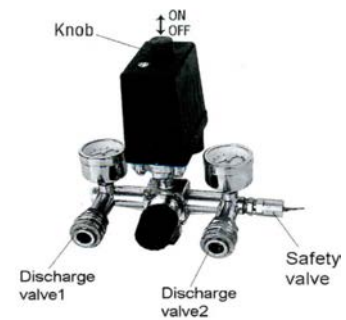


Fig.2

5. Operation and Adjustment

- 1, The compressor is controlled by a pressure switch when in use. It will stop automatically as pressure increases to the max setting, and restart as pressure is reduced to the min setting. The pressure switch pressure rating has been set from factory and shouldn't be adjusted unnecessarily.
- 2, The outlet pressure of the compressed air can be adjusted by the regulator valve. Rotate the knob on the regulator by turning the regulating knob clockwise or anticlockwise to increase or decrease air pressure.
- 3, To turn compressor off, press the red knob down to the Off position.

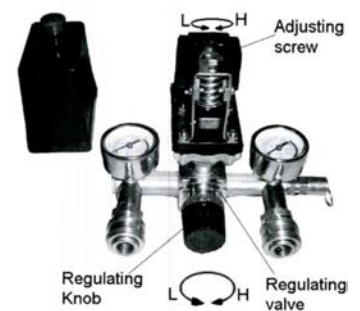


Fig.3

6. Cautions

- 1, Never remove any connecting parts when the tank is under pressure.
- 2, Never remove any electrical parts before isolating the electrical supply.
- 3, Never adjust the pressure switch unnecessarily
- 4, Always ensure that the electrical supply is sufficient for the compressor.
- 5, Never use the electrical plug to start or stop the compressor.
- 6, If the pressure switch isn't working, switch off the machine immediately to reduce any long term damage.
- 7, Replacement lubricant must be new and clean and should be filled to the red cycle of the oil site glass.
- 8, Be sure to drain the tank daily.
- 9, Check oil level daily.

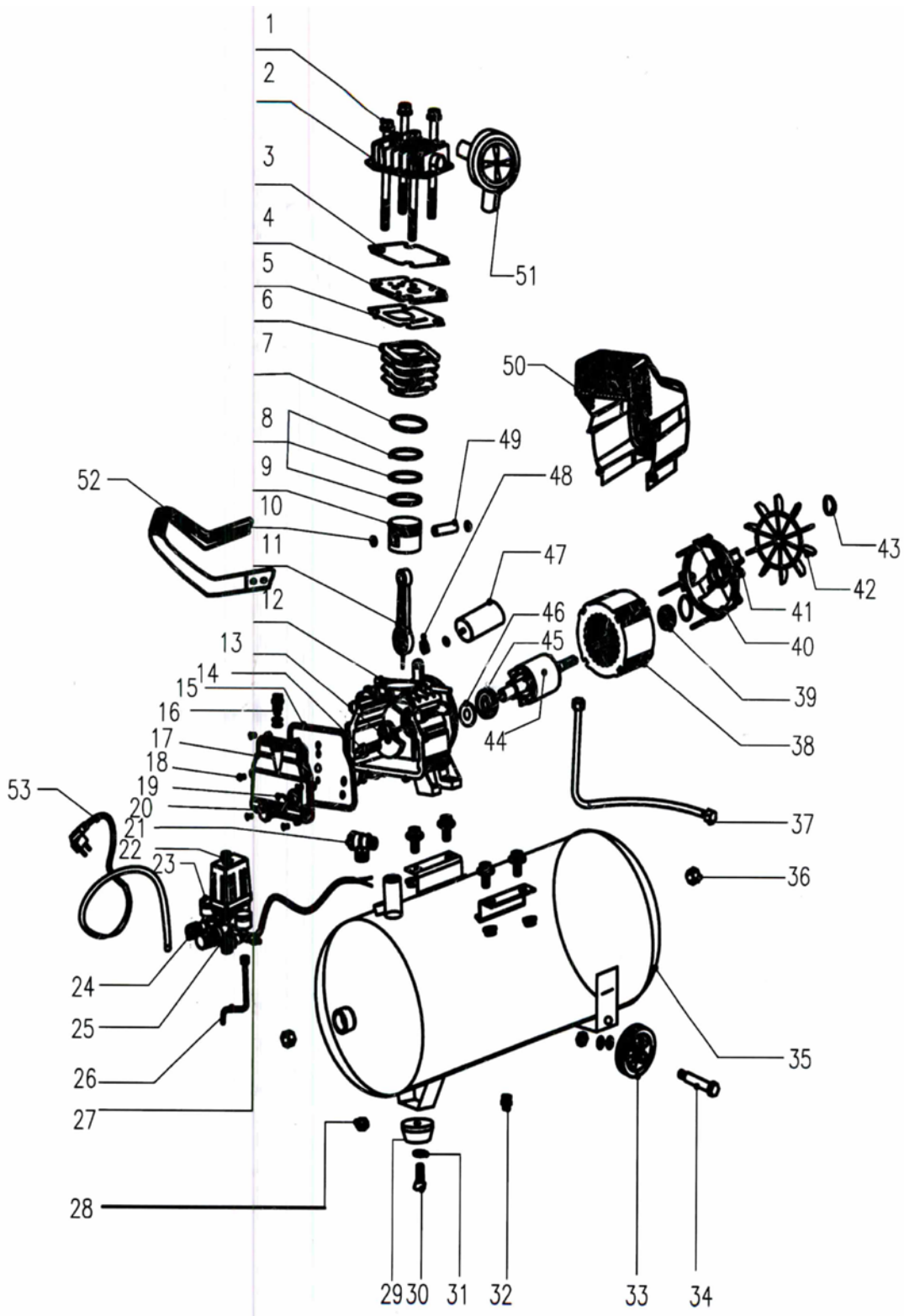
7. Maintenance

- 1, Clean crankcase and renew lubricant oil after the first 10 working hours.
- 2, Remove the drain valve to remove water from the tank daily
- 3, Replace air filters every 120 hours of use or as and where they require replacement.

8. Trouble Shooting

Trouble	Possible Causes	Possible Fix
Motor unable to run, running slow or getting hot.	(1) Fault in line, or voltage insufficient (2) Power cable too thin or too long (3) Faulty pressure switch (4) Faulty motor (5) Pistons not rotating	(1) Check the electrical supply (2) Replace the cable (3) Repair or Replace (4) Check and Repair (5) Check and Repair
Pistons not rotating	(1) Moving parts burnt out due to lack of oil (2) Moving parts damaged, or stuck by foreign object.	Check crankshaft, bearings, connecting rod, piston, piston rings etc.... Replace if necessary.
Shaking or abnormal noise	(1) Connecting parts loose (2) Foreign object in the pump (3) Piston hitting valve seat (4) Moving parts worn	(1) Check and retighten (2) Check and Clean (3) Replace with thicker gasket (4) Repair or Replace
Decrease in pressure	(1) Motor running too slow (2) Air filter blocked (3) Leaking pressure switch (4) Leaking discharge pipe (5) Gasket damaged (6) Valve plate damaged, carbon build up or stuck (7) Piston ring and cylinder worn or damaged	(1) Check (2) Clean or replace the air filter (3) Check and adjust (4) Check and Repair (5) Check and Replace (6) Replace and Clean (7) Repair or replace
Using too much oil	(1) Oil level too high (2) Breather pipe blocked (3) Piston ring and cylinder worn or damaged	(1) Check the level is within the sight glass (2) Check and Clean (3) Repair or Replace

9. Parts Diagram



Parts Illustration					
No:	Description	Qty	No:	Description	Qty
1	Bolt M8 X 103	4	28	Nut M8	3
2	Cylinder Head	1	29	Rubber Foot	1
3	Cylinder Head Gasket	1	30	Bolt M8 x 25	1
4	Valve Plate	1	31	Washer	1
5	Valve Plate Gasket	1	32	Drain Valve	1
6	Cylinder	1	33	Wheel	2
7	Cylinder Gasket	1	34	Threaded Connector	2
8	Piston Ring	3	35	Tank	1
9	Piston	1	36	End Plug	2
10	Circlip	2	37	Delivery Pipe	1
11	Connecting Rod	1	38	Stator	1
12	Crankcase	1	39	Bearing 6203	1
13	Crank	1	40	Motor Cover	1
14	Hex Bolt M8 x 22	1	41	Bolt M5 x 105	4
15	Rubber Gasket	1	42	Fan	1
16	Breather Plug	1	43	Circlip	1
17	Crankcase Cover	1	44	Rotor	1
18	Bolt M6 x 10	6	45	Bearing 6204	1
19	Oil Sight Glass Gasket	1	46	Seal Ring	1
20	Oil Sight Glass	1	47	Capacitor	1
21	Non – Return Valve	1	48	Nut M8	2
22	Pressure Switch	1	49	Piston Pin	1
23	Pressure Gauge	2	50	Fan Cover	1
24	Quick Couplers	2	51	Air Filter	1
25	Regulator Valve	1	52	Plastic Handle	1
26	Release Pipe	1	53	Mains Plug	1
27	Safety Valve	1			

10. List of Contents

NO	Description	Qty
1	Air Compressor	1
2	Air Filter	1
3	Oil Breather Plug	1
4	Rubber Dampers	1
5	Operation Manual	1
6	Wheel Kit	1

11. Warranty Information

SWP's Zephyr range of air compressors are covered by a 12-months warranty period providing the unit has been serviced maintained and installed in accordance with SWP guidelines.

All compressors must be installed in a large, well ventilated, dust free area and sheltered away from either rain or frost. The unit should be positioned with at least one metre of free space all around the unit to aid both ease of service and cooling airflow.

All single phased compressors fitted with a 13amp plug are designed to plug directly in to a standard 13amp socket.

Exclusion to warranty cover are detailed below:

- A The cost of routine replacement parts and consumable items, e.g. Air filters, belts, lubricants shall not be covered by the warranty.
- B Any breakdown or failure caused by interference of any kind with the product or its mechanisms or by modifications or repairs carried out by an unauthorized person or business.
- C Damaged to the product or its component parts caused by incorrect use, abuse, negligent, lack of proper maintenance or by external cause. E.g. incoming power supply or local environment.
- D Minor adjustments of any part or components on the machine which do not necessitate the repair or replacement of part.