

Stealth

DIGI-ARC200C DV

CELLULOSIC • IGBT INVERTER • DC MMA / LIFT TIG • WELDING MACHINE

Part No. 9024



Suitable for
110~240V

OPERATING INSTRUCTIONS

SWP

SAFETY PRECAUTIONS

Follow these precautions carefully. Improper use of any welder can result in injury or death.

1. ONLY CONNECT MACHINE TO A POWER SOURCE FOR WHICH IT WAS DESIGNED. THE SPECIFICATION PLATE ON THE MACHINE LISTS THIS INFORMATION. WHEN WELDING OUTDOORS ONLY USE AN EXTENSION CORD INTENDED FOR SUCH USE.
2. ONLY OPERATE MACHINE IN DRY LOCATIONS AND ON CEMENT OR MASONRY FLOOR. KEEP AREA CLEAN AND UNCLUTTERED.
3. KEEP ALL COMBUSTIBLES AWAY FROM WORK SITE.
4. DO NOT WEAR CLOTHING THAT HAS BEEN CONTAMINATED WITH GREASE OR OIL.
5. KEEP CABLES DRY AND FREE FROM OIL AND GREASE AND NEVER COIL AROUND SHOULDERS.
6. SECURE WORK WITH CLAMPS OR OTHER MEANS – DON'T OVER-REACH WHEN WORKING.
7. NEVER STRIKE AN ARC OVER A COMPRESSED GAS CYLINDER.
8. DON'T ALLOW THE INSULATED PORTION OF THE ELECTRODE HOLDER TO TOUCH THE GROUND WHILE CURRENT IS FLOWING.
9. SHUT OFF POWER AND UNPLUG MACHINE WHEN REPAIRING OR ADJUSTING. INSPECT BEFORE EVERY USE. ONLY USE IDENTICAL REPLACEMENT PARTS.
10. FOLLOW ALL MANUFACTURER'S RULES ON OPERATING SWITCHES AND MAKING ADJUSTMENTS.
11. ALWAYS WEAR PROTECTIVE CLOTHING WHEN WELDING. THIS INCLUDES: LONG SLEEVED SHIRT (LEATHER SLEEVES), PROTECTIVE APRON WITHOUT POCKETS, LONG PROTECTIVE TROUSERS, BOOTS AND GLOVES WHEN HANDLING HOT MATERIALS.
12. ALWAYS WEAR A WELDER'S HELMET WITH PROTECTIVE EYE PIECE WHEN WELDING. WEAR A PROTECTIVE CAP UNDERNEATH THE HELMET.
13. WHEN WELDING OVERHEAD, BEWARE OF HOT METAL DROPPINGS. ALWAYS PROTECT THE HEAD, HAND, FEET AND BODY.
14. KEEP A FIRE EXTINGUISHER CLOSE BY AT ALL TIMES.
15. DO NOT EXCEED THE DUTY CYCLE OF THE MACHINE. THE RATED CYCLE OF A WELDING MACHINE IS THE PERCENTAGE OF A TEN MINUTE PERIOD THAT THE MACHINE CAN OPERATE SAFELY AT A GIVEN OUTPUT SETTING.
16. KEEP ALL CHILDREN AWAY FROM WORK AREA. WHEN STORING EQUIPMENT, MAKE SURE IT IS OUT OF REACH OF CHILDREN.
17. GUARD AGAINST ELECTRIC SHOCK. DO NOT WORK WHEN TIRED. DO NOT LET BODY COME IN CONTACT WITH GROUNDED SURFACES.

1 MAIN USE AND RANGE

STEALTH DIGI-ARC200C DV inverter arc machine is a welding machine incorporating IGBT and features performance and high efficiency. The welding current is infinitely and independently adjustable. All ferrous metal and stainless steel material can be omni-bearing welded in all positions. Also by changing the work return lead to the dings socket marked 6010, this will increase the OCV allowing the user to weld with rods that have a higher cellulosic value i.e Super Six 6010 rods. The machine has an outstanding feature of a minimum welding current of 15A. Protection measures of the welder are excellent. The machine is reliable, lightweight and easy to use. It is particularly suitable for plant and mine working, build and maintenance sectors.

2 OPERATING CONDITION AND WORK SURROUNDING

2.1 OPERATING CONDITIONS

Voltage of power source: single phase AC 110/220/230/240V \pm 10%

Frequency: 50/60Hz

Reliable grounding protection

2.2 WORK SURROUNDINGS

2.2.1 Relative humidity: \leq 90% (average monthly temperature \leq 20°C)

2.2.2 Ambient temperature: -10°C - 40°C

2.2.3 The welding site should have no harmful gas, chemicals, moulds and inflammable matter, explosive and corrosive medium.

2.2.4 Operating in rain is not allowed.

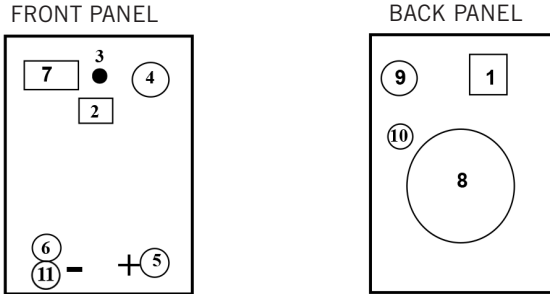
3 TECHNICAL SPECIFICATIONS

	110V	240V
Minimum fuse rating	24A	24A
I1 max	41A	41A
Generator friendly	+ / - 10%	+ / - 10%
Input power voltage	110	230
Rated input power capacity	4.5KVA	9.4 KVA
Input voltage frequency	50/60 Hz	50/60 Hz
Output current rate	20-120A	20-200A
Duty cycle (40°C)	70A @ 100% 90A @ 60% 120A @ 35%	130A @ 100% 160A @ 60% 200A @ 35%
Protection class	Ip23	Ip23
Diameter of rod	1.6-2.5mm	1.6-5.0mm
Overall dimensions	380 x 160 x 250mm	
Weight	7.5kg	
Accessories included	3mtr earth clamp and cable 3mtr electrode holder and cable	

4 PRODUCT DESCRIPTION

- **Before welding, the operator should read the operating instructions.**
- Check the machine appearance for deformation and damage.
- For the safety of the equipment the operator must make an appropriate earth according to the power supply system.
- The welding operation should be carried out in a dry and well ventilated area.
- Check the machine output connection.
- The machine should not be moved or the cover opened when the power is on and during the welding operation.
- The machine should be maintained, operated and managed by a qualified person.
- Confirm the power source is single phase 240V ± 10% and distribution board current is 5KVA.
- DO NOT connect with 380V power.

5 PANEL FUNCTION DIAGRAMS



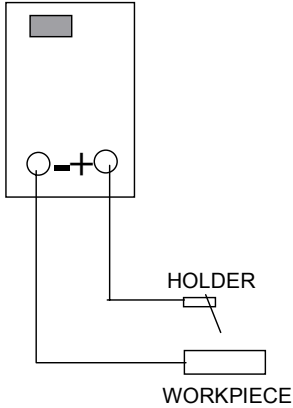
- | | |
|-----------------------------|-------------------------------|
| 1. Power switch | 7. Current indicator |
| 2. MMA/TIG switch | 8. Cooling Fan |
| 3. Protect indicating light | 9. Incoming line of the power |
| 4. Current regulator | 10. Safety earthing column |
| 5. Output + | 11. 6010 output |
| 6. Output - | |

6 MACHINE OPERATION

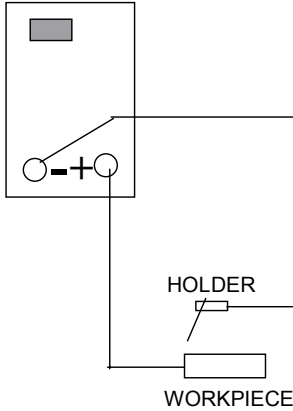
6.1 HAND WELDING WITH ELECTRODE (MMA)

- 6.1.1 Put switch **2** (MMA/TIG switch) to position **MMA**.
- 6.1.2 Select empiric formula: $I = 40 \cdot d$, d is diameter of the electrode.
- 6.1.3 Note positive and negative connection during welding.

A – Negative connection



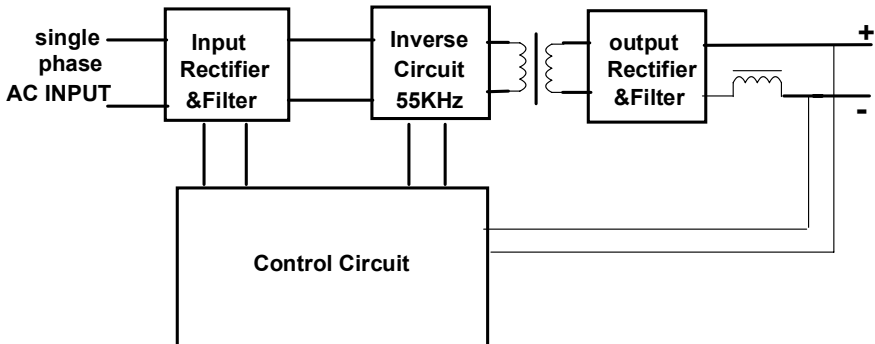
B – Positive connection



6.2 DC ARGON ARC WELDING (LIFT TIG)

- 6.2.1 Put switch **2** (MMA/TIG switch) onto the position **TIG**.
- 6.2.2 Connect gas inlet pipe of the welding torch to argon bottle.
- 6.2.3 Test gas: open the argon bottle and turn on the flow meter, select suitable argon flow.
- 6.2.4 Regulating the current knob **4**. Select suitable welding current according to thickness of the workpiece to be welded.
- 6.2.5 When the welding operation is finished, turn off argon bottle and cut off input power to the machine.

7 SYSTEMATIC DIAGRAM



TROUBLESHOOTING

Problems	Causes	Solutions
Power lamp not lit	<ol style="list-style-type: none"> 1. No electricity input 2. Machine switch fails 	<ol style="list-style-type: none"> 1. Check incoming line 2. Replace switch
Fan not rotating	<ol style="list-style-type: none"> 1. Fan power line is off 2. Fan enclosure is blocked 3. Fan fails 4. Machine fails 	<ol style="list-style-type: none"> 1. Reconnect the line 2. Unblock the enclosure 3. Replace the fan 4. Return to manufacturer or service centre
Warning lamp lights	<ol style="list-style-type: none"> 1. Over heat (yellow lamp lights) 2. Over current (Green lamp lights) 	<ol style="list-style-type: none"> 1. Welding after cooling 2. Input voltage too low or the machine fails
No output of welder	<ol style="list-style-type: none"> 1. Over current protection 2. Welder fails 	<ol style="list-style-type: none"> 1. Over load using 2. Maintenance in manufacturer or service centre
Output current decreased	<ol style="list-style-type: none"> 1. Input voltage is low 2. Input line is too thin 	<ol style="list-style-type: none"> 1. Stabilise over 5KVA 2. Thicken power line
Current cannot be regulated	<ol style="list-style-type: none"> 1. Connecting line of the potentiometer is off 2. Potentiometer for current regulation fails 	<ol style="list-style-type: none"> 1. Reconnect the line 2. Replace potentiometer

			
<p>WARNING</p>	<ul style="list-style-type: none"> ● Do not touch electrically live parts or electrode with skin or wet clothing. ● Insulate yourself from work and ground. 	<ul style="list-style-type: none"> ● Keep flammable materials away. 	<ul style="list-style-type: none"> ● Wear eye, ear and body protection.
<p>Spanish AVISO DE PRECAUCION</p>	<ul style="list-style-type: none"> ● No toque las partes o los electrodos bajo carga con la piel o ropa mojada. ● Aíslese del trabajo y de la tierra. 	<ul style="list-style-type: none"> ● Mantenga el material combustible fuera del área de trabajo. 	<ul style="list-style-type: none"> ● Protéjase los ojos, los oídos y el cuerpo.
<p>French ATTENTION</p>	<ul style="list-style-type: none"> ● Ne laissez ni la peau ni des vêtements mouillés entrer en contact avec des pièces sous tension. ● Isolez-vous du travail et de la terre. 	<ul style="list-style-type: none"> ● Gardez à l'écart de tout matériel inflammable. 	<ul style="list-style-type: none"> ● Protégez vos yeux, vos oreilles et votre corps.
<p>German WARNUNG</p>	<ul style="list-style-type: none"> ● Berühren Sie keine stromführenden Teile oder Elektroden mit Ihrem Körper oder feuchter Kleidung! ● Isolieren Sie sich von den Elektroden und dem Erdboden! 	<ul style="list-style-type: none"> ● Entfernen Sie brennbares Material! 	<ul style="list-style-type: none"> ● Tragen Sie Augen-, Ohren- und Körperschutz!
<p>Portuguese ATENÇÃO</p>	<ul style="list-style-type: none"> ● Não toque partes elétricas e electrodos com a pele ou roupa molhada. ● Isole-se da peça e terra. 	<ul style="list-style-type: none"> ● Mantenha inflamáveis bem guardados. 	<ul style="list-style-type: none"> ● Use proteção para a vista, ouvido e corpo.
<p>Japanese 注意事項</p>	<ul style="list-style-type: none"> ● 通電中の電気部品、又は溶材にヒヤやぬれた布で触れないこと。 ● 施工物やアースから身体が絶縁されている様にして下さい。 	<ul style="list-style-type: none"> ● 燃えやすいものの側での溶接作業は絶対にしてはなりません。 	<ul style="list-style-type: none"> ● 目、耳及び身体に保護具をして下さい。
<p>Chinese 警告</p>	<ul style="list-style-type: none"> ● 皮肤或湿衣物切勿接触带电部件及焊缝。 ● 使你自己与地面和工件绝缘。 	<ul style="list-style-type: none"> ● 把一切易燃物品移离工作场所。 	<ul style="list-style-type: none"> ● 佩戴眼、耳及身体劳动保护用具。
<p>Korean 위험</p>	<ul style="list-style-type: none"> ● 전도체나 용접봉을 젖은 헝겊 또는 피부로 절대 접촉치 마십시오. ● 모재와 접지를 접촉치 마십시오. 	<ul style="list-style-type: none"> ● 인화성 물질을 접근 시키지 마십시오. 	<ul style="list-style-type: none"> ● 눈, 귀와 몸에 보호장구를 착용하십시오.
<p>Arabic تحذير</p>	<ul style="list-style-type: none"> ● لا تلمس الأجزاء التي يمرى فيها التيار الكهربائى أو الإلكتروود بجلد الجسم أو بالملايس المبللة بالماء. ● ضع عازل على جسمك خلال العمل. 	<ul style="list-style-type: none"> ● ضع المواد القابلة للاشتعال في مكان بعيد. 	<ul style="list-style-type: none"> ● ضع أدوات وملابس واقية على عينيك وأذنيك وجسمك.

READ AND UNDERSTAND THE MANUFACTURER'S INSTRUCTION FOR THIS EQUIPMENT AND THE CONSUMABLES TO BE USED AND FOLLOW YOUR EMPLOYER'S SAFETY PRACTICES.

SE RECOMIENDA LEER Y ENTENDER LAS INSTRUCCIONES DEL FABRICANTE PARA EL USO DE ESTE EQUIPO Y LOS CONSUMIBLES QUE VA A UTILIZAR, SIGA LAS MEDIDAS DE SEGURIDAD DE SU SUPERVISOR.

LISEZ ET COMPRENEZ LES INSTRUCTIONS DU FABRICANT EN CE QUI REGARDE CET EQUIPMENT ET LES PRODUITS A ETRE EMPLOYES ET SUIVEZ LES PROCEDURES DE SECURITE DE VOTRE EMPLOYEUR.

LESEN SIE UND BEFOLGEN SIE DIE BETRIEBSANLEITUNG DER ANLAGE UND DEN ELEKTRODENEINSATZ DES HERSTELLERS. DIE UNFALLVERHÜTUNGSVORSCHRIFTEN DES ARBEITGEBERS SIND EBENFALLS ZU BEACHTEN.

			
<ul style="list-style-type: none"> ● Keep your head out of fumes. ● Use ventilation or exhaust to remove fumes from breathing zone. 	<ul style="list-style-type: none"> ● Turn power off before servicing. 	<ul style="list-style-type: none"> ● Do not operate with panel open or guards off. 	<p>WARNING</p>
<ul style="list-style-type: none"> ● Los humos fuera de la zona de respiración. ● Mantenga la cabeza fuera de los humos. Utilice ventilación o aspiración para gases. 	<ul style="list-style-type: none"> ● Desconectar el cable de alimentación de poder de la máquina antes de iniciar cualquier servicio. 	<ul style="list-style-type: none"> ● No operar con panel abierto o guardas quitadas. 	<p>Spanish AVISO DE PRECAUCION</p>
<ul style="list-style-type: none"> ● Gardez la tête à l'écart des fumées. ● Utilisez un ventilateur ou un aspirateur pour ôter les fumées des zones de travail. 	<ul style="list-style-type: none"> ● Débranchez le courant avant l'entretien. 	<ul style="list-style-type: none"> ● N'opérez pas avec les panneaux ouverts ou avec les dispositifs de protection enlevés. 	<p>French ATTENTION</p>
<ul style="list-style-type: none"> ● Vermeiden Sie das Einatmen von Schweißrauch! ● Sorgen Sie für gute Be- und Entlüftung des Arbeitsplatzes! 	<ul style="list-style-type: none"> ● Strom vor Wartungsarbeiten abschalten! (Netzstrom völlig öffnen; Maschine anhalten!) 	<ul style="list-style-type: none"> ● Anlage nie ohne Schutzgehäuse oder Innenschutzverkleidung in Betrieb setzen! 	<p>German WARNUNG</p>
<ul style="list-style-type: none"> ● Mantenha seu rosto da fumaça. ● Use ventilação e exaustão para remover fumo da zona respiratória. 	<ul style="list-style-type: none"> ● Não opere com as tampas removidas. ● Desligue a corrente antes de fazer serviço. ● Não toque as partes elétricas nuas. 	<ul style="list-style-type: none"> ● Mantenha-se afastado das partes moventes. ● Não opere com os painéis abertos ou guardas removidas. 	<p>Portuguese ATENÇÃO</p>
<ul style="list-style-type: none"> ● ヒュームから頭を離すようにして下さい。 ● 換気や排煙に十分留意して下さい。 	<ul style="list-style-type: none"> ● メンテナンス・サービスに取りかかる際には、まず電源スイッチを必ず切して下さい。 	<ul style="list-style-type: none"> ● パネルやカバーを取り外したままで機械操作をしないで下さい。 	<p>Japanese 注意事項</p>
<ul style="list-style-type: none"> ● 頭部遠離煙霧。 ● 在呼吸區使用通風或排風器除煙。 	<ul style="list-style-type: none"> ● 維修前切斷電源。 	<ul style="list-style-type: none"> ● 儀表板打開或沒有安全罩時不準作業。 	<p>Chinese 警告</p>
<ul style="list-style-type: none"> ● 얼굴로부터 용접가스를 멀리하십시오. ● 호흡지역으로부터 용접가스를 제거하기 위해 가스제거기나 통풍기를 사용하십시오. 	<ul style="list-style-type: none"> ● 보수전에 전원을 차단하십시오. 	<ul style="list-style-type: none"> ● 패널이 열린 상태로 작동하지 마십시오. 	<p>Korean 위험</p>
<ul style="list-style-type: none"> ● ابعء رأسك بعيداً عن الدخان. ● استعمل التهوية أو جهاز ضغط الدخان للنجار لكي تبعد الدخان عن المنطقة التي تنفّس فيها. 	<ul style="list-style-type: none"> ● اقطع التيار الكهربائي قبل القيام بأية صيانة. 	<ul style="list-style-type: none"> ● لا تشغل هذا الجهاز إذا كانت الاغطية الحديدية الواقية ليست عليه. 	<p>Arabic تحذير</p>

LEIA E COMPREENDA AS INSTRUÇÕES DO FABRICANTE PARA ESTE EQUIPAMENTO E AS PARTES DE USO, E SIGA AS PRÁTICAS DE SEGURANÇA DO EMPREGADOR.

使う機械や溶材のメーカーの指示書をよく読み、まず理解して下さい。そして貴社の安全規定に従って下さい。

請詳細閱讀並理解製造廠提供的說明以及應該使用的銀焊材料，並請遵守貴方的有關勞動保護規定。

이 제품에 동봉된 작업지침서를 숙지하시고 귀사의 작업자 안전수칙을 준수하시기 바랍니다.

اقرأ بتعمق وافهم تعليمات المصنع المنتج لهذه المعدات والمواد قبل استعمالها واتبع تعليمات الوقاية لصاحب العمل.



Specialised Welding Products Ltd

Unit 1, Farringdon Industrial Centre, Farringdon, Nr Alton, Hampshire GU34 3DD, UK
tel: +44 (0)1420 588180 • fax: +44 (0)1420 588184 • email: sales@swp.uk.net